



RIS1002/1003 series

3-port 100M DIN-rail industrial-grade fiber optic transceiver

Product Features

- Provide 1 100M optical port and 1 or 2 100M network ports;
- The optical fiber interface configuration is flexible, and the interface can be selected in the form of LC /SC/ST/FC.
- Plug and play, convenient and fast;
- IP40 protection level, fanless cooling;
- Adopting industrial-grade power supply design, a variety of power input solutions are available;
- -40°C~75°C operating temperature, meeting industrial application scenarios;

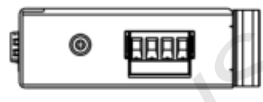
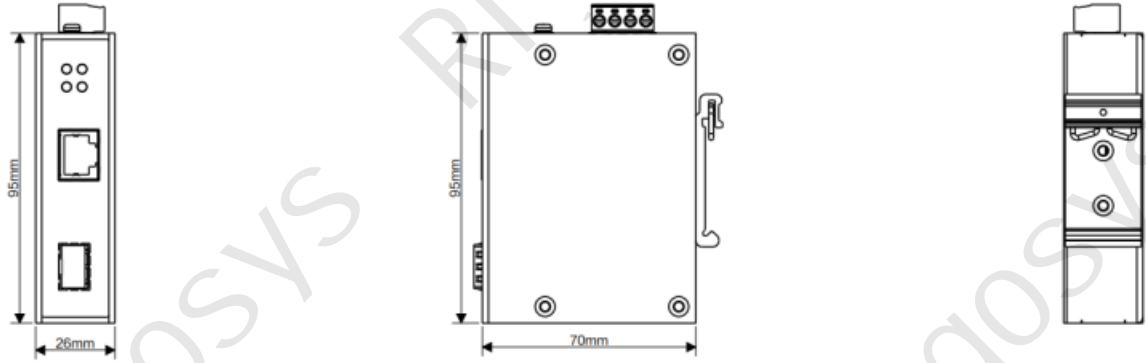
Switch Parameters

Network Interface	
Port description	1 002 series: 1 100M electrical port, 1 100M SC/ST/FC optical port or 1 SFP slot ; 1 003 series: 2 100M electrical ports, 1 100M SC/ST/FC optical port or 1 SFP slot ;
power supply	
power input	Low-voltage DC power supply: dual power supply redundancy, range DC 12 ~48V High-voltage AC and DC power supply: single circuit, 85-265VAC/100-300VDC isolated power supply
Power consumption	<3W
Protect	Support overload protection, reverse connection protection and redundancy protection (LV)

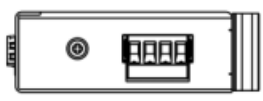
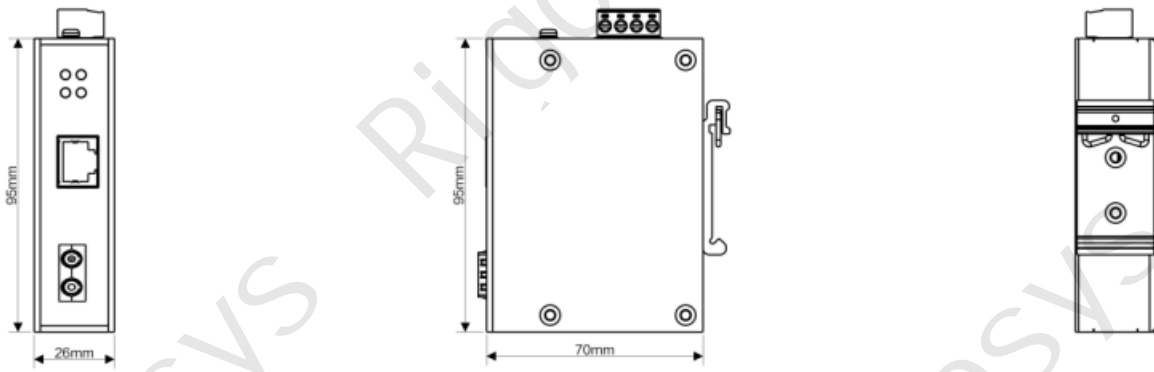
technology	
Ethernet specifications	IEEE 802.3: 10Base-T IEEE 802.3u: 100Base-TX and 100Base-FX
MAC address table	1K
priority queue	2
jumbo frame	1536 bytes
Processing method	store and forward
Switch Features	Exchange delay time : <10µs Switch backplane bandwidth : 1 Gbps
Mechanical properties	
Dimensions (W x H x D)	RIS 1002-1T1P-LV: 26 x 95 x 70 mm RIS 1002-1 T1F-LV: 26 x 95 x 70 mm RIS 1 003-2T1F-LV: 26 x 95 x 70 mm RIS 1 003-2T1P-LV: 26 x 95 x 70 mm RIS 1 003-2T1F-HV: 30 x 115 x 88 mm
shell	Metal
Heat dissipation method	Fanless design, natural heat dissipation
Protection level	IP40
Installation method	Default rail, optional wall mounting
Weight (g)	≤ 1KG
environment	
storage temperature	-40~85 °C
Operating temperature	-40~75 °C
Working humidity	5%~95% no condensation
Certification	
EMI	FCC Part 15, CISPR (EN55022) class A
EMS	EN61000-4-2 (ESD) EN61000-4-3 (RS) Contact discharge 6 kV, air discharge 8 Kv 10V/m, 80MHz~1GHz EN61000-4-4 (EFT) Signal terminal 1 kV, power input terminal 2 kV Power input: 2kV (line/ground), 1kV (line/line) EN61000-4-5 (Surge) 10V, 150kHz~80MHz EN61000-4-6 (CS)
impact	IEC60068-2-27
fall	IEC60068-2-32
shock	IEC60068-2-6
Security Level	EN 62368-1 (LVD)
Warranty	5 years

Switch Size

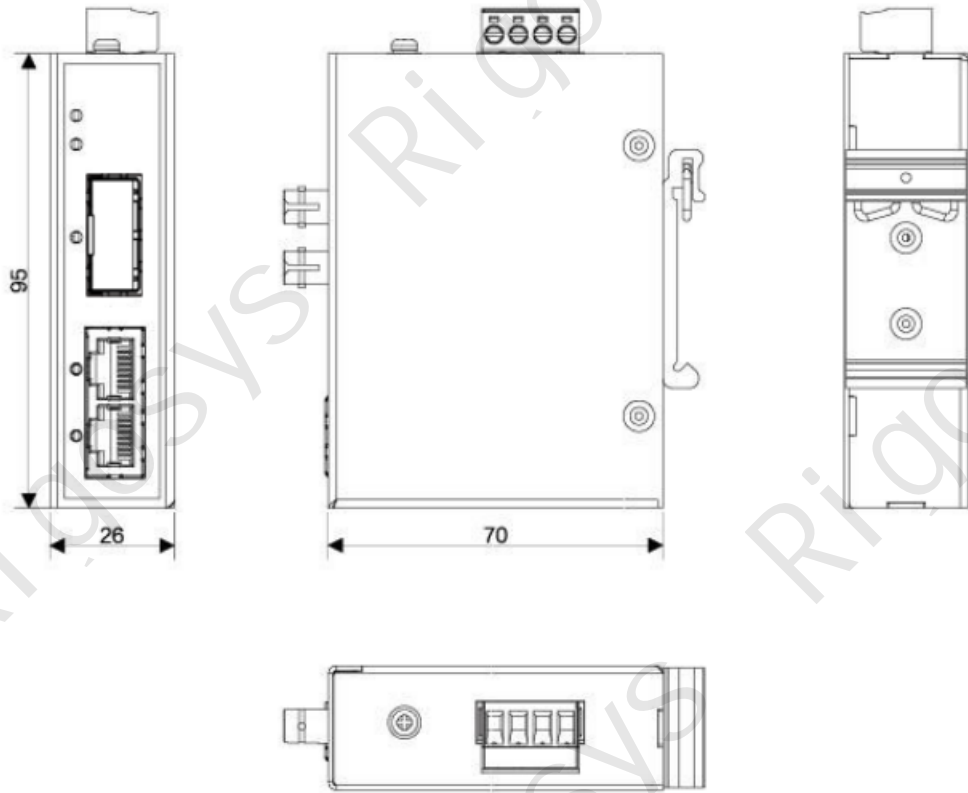
RIS 1002-1T1P-LV :



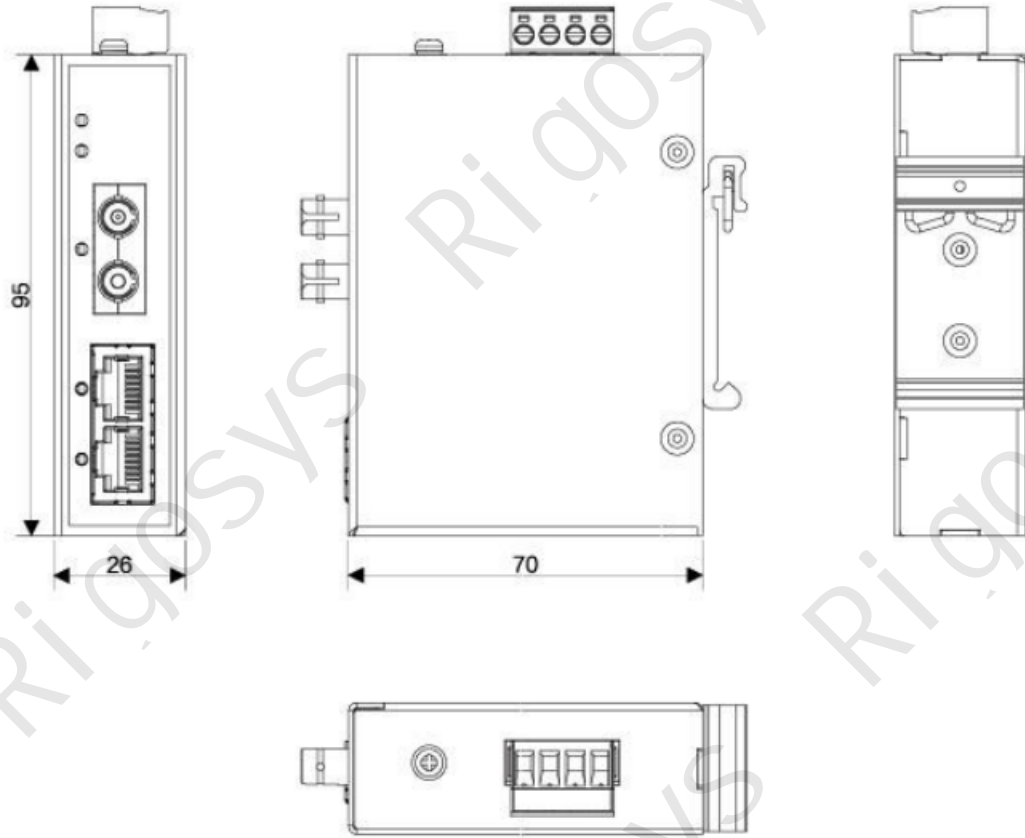
RIS 1002-1T1 F -LV :



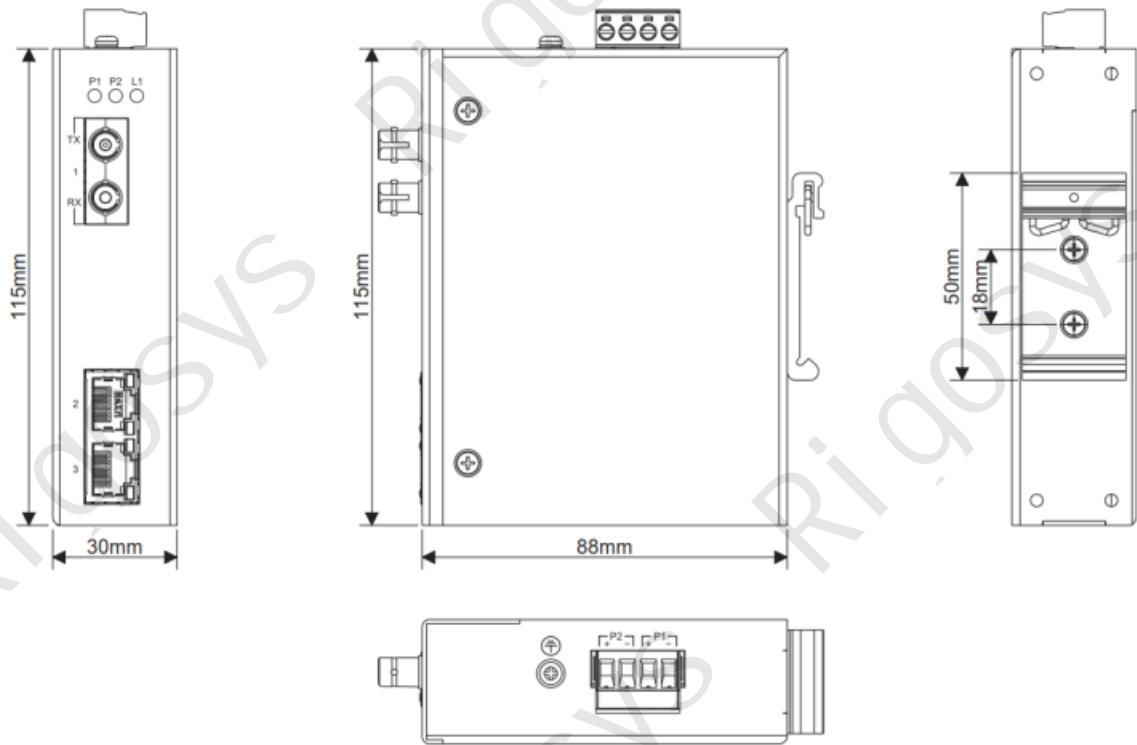
RIS 1003-2T1 P -LV :



RIS 1003-2T1F-LV:



RIS 1003-2T1F-HV:



Product Model

Model	Description
RIS1002-1T1P-LV	Industrial grade 100M transceiver, 1 100M SFP optical slot, 1 100M power, dual DC12~DC48V power supply
RIS1002-1T1F-LV	Industrial grade 100M transceiver, 1 100M optical (1x9 module SC/ST/FC optional) 1 100M electricity, dual DC12~DC48V power supply
RIS1003-2T1F-LV	Industrial grade 100M transceiver, 1 100M optical (1x9 module SC/ST/FC optional) 2 100M electricity, dual DC12~DC48V power supply
RIS1003-2T1P-LV	Industrial grade 100M transceiver, 1 100M SFP optical slot, 2 100M power, dual DC12~DC48V power supply
RIS1003-2T1F-HV	Industrial grade 100M transceiver, 1 100M optical (1x9 module SC/ST/FC optional) 2 100M electricity, single 85-265VAC/100-300VDC isolated power supply