



## RIS1202/1203 series

### 3-port full Gigabit rail-type industrial-grade optical fiber transceiver

#### Product Features

- Provide 1 Gigabit optical port and 1 or 2 Gigabit network ports;
- The optical fiber interface configuration is flexible, and the interface can be selected in the form of LC /SC/ST/FC.
- Plug and play, convenient and fast;
- IP40 protection level, fanless cooling;
- Adopting industrial-grade power supply design, a variety of power input solutions are available;
- -40°C~75°C operating temperature, meeting industrial application scenarios;

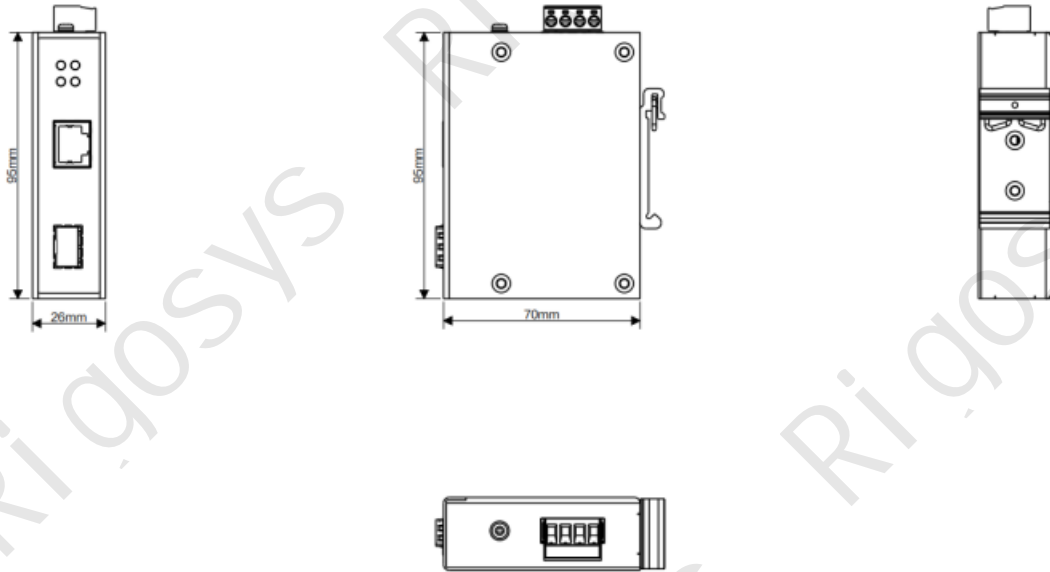
#### Switch Parameters

Network Interface	
Port description	1202 series: 1 Gigabit electrical port, 1 Gigabit SFP/SC/ST/FC optical port; 1203 series: 2 Gigabit electrical ports, 1 Gigabit SFP/SC/ST/FC optical port;
power supply	
power input	Low-voltage DC power supply: dual power supply redundancy, range DC 12 ~48V High-voltage AC and DC power supply: single circuit, 85-265VAC/100-300VDC isolated power supply
Power consumption	<3W

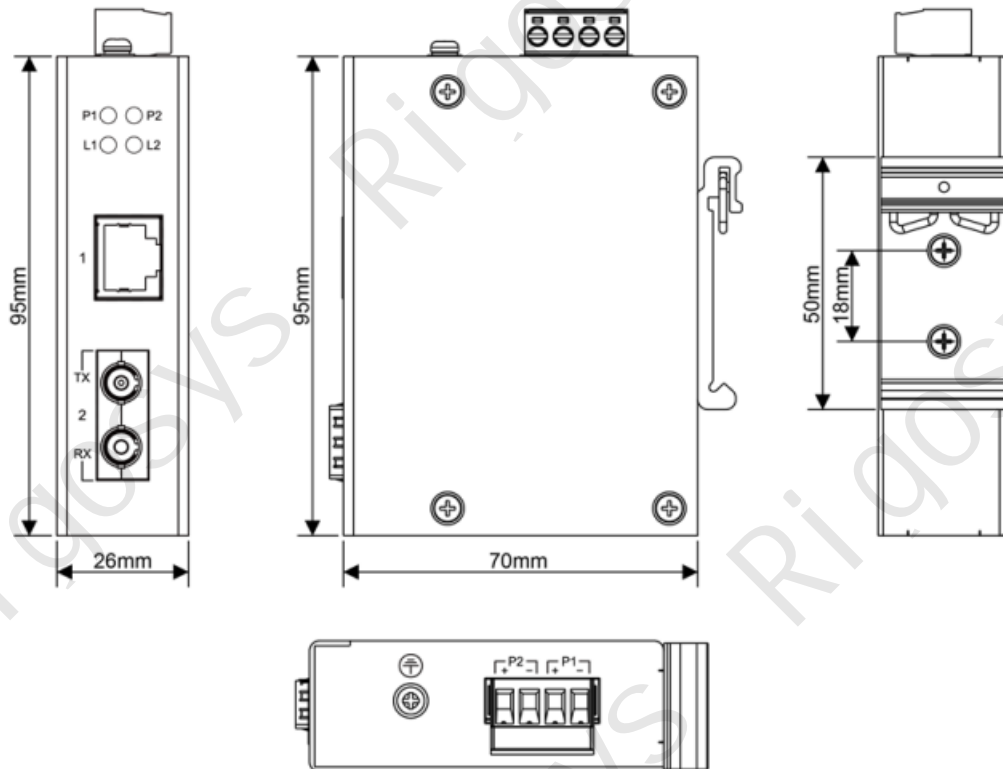
Protect	Support overload protection, reverse connection protection and redundancy protection (LV)
<b>technology</b>	
Ethernet specifications	IEEE 802.3: 10Base-T IEEE 802.3u: 100Base-TX and 100Base-FX IEEE 802.3z: 1000BaseX IEEE 802.3ab: 1000Base-T
MAC address table	2k
priority queue	4
jumbo frame	9216 bytes
Processing method	store and forward
Switch Features	Exchange delay time : < 10 $\mu$ s Switch backplane bandwidth : 8Gbps
<b>Mechanical properties</b>	
Dimensions (W x H x D)	RIS1 202-1GT1GP-LV: 26 x 95 x 70 mm RIS1 202-1GT1GF-LV: 26 x 95 x 70 mm RIS1 203-2GT1GP-LV: 26 x 95 x 70 mm RIS1 203-2GT1GF-LV: 26 x 95 x 70 mm RIS1 203-2GT1GP-HV: 28 x 130 x 92 mm RIS1 203-2GT1GF-HV: 28 x 130 x 92 mm
shell	Metal
Heat dissipation method	Fanless design, natural heat dissipation
Protection level	IP40
Installation method	Default rail, optional wall mounting
Weight (g)	$\leq$ 1KG
<b>environment</b>	
storage temperature	-40~85 °C
Operating temperature	-40~75 °C
Working humidity	5%~95% no condensation
<b>Certification</b>	
EMI	FCC Part 15, CISPR (EN55022) class A
EMS	EN61000-4-2 (ESD) Contact discharge 6 kV, air discharge 8 Kv EN61000-4-3 (RS) 10V/m, 80MHz~1GHz EN61000-4-4 (EFT) Signal terminal 1 kV, power input terminal 2 kV EN61000-4-5 (Surge) Power input: 2kV (line/ground), 1kV (line/line) EN61000-4-6 (CS) 10V, 150kHz~80MHz
impact	IEC60068-2-27
fall	IEC60068-2-32
shock	IEC60068-2-6
Security Level	EN 62368-1 (LVD)
Warranty	5 years

Switch Size

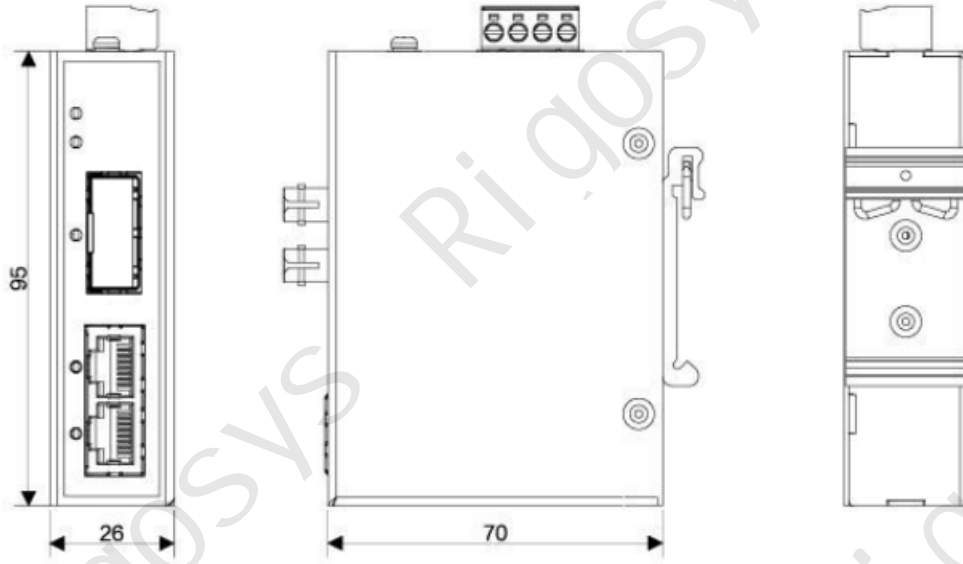
RIS1 202-1GT1GP-LV:



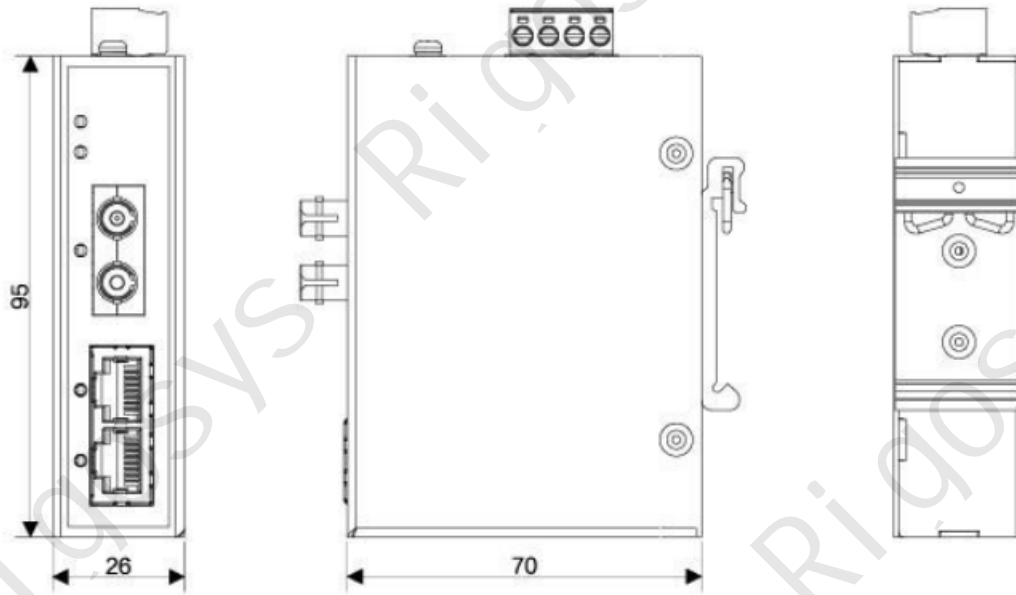
RIS1202-1GT1GF-LV:



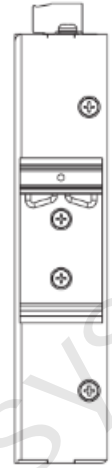
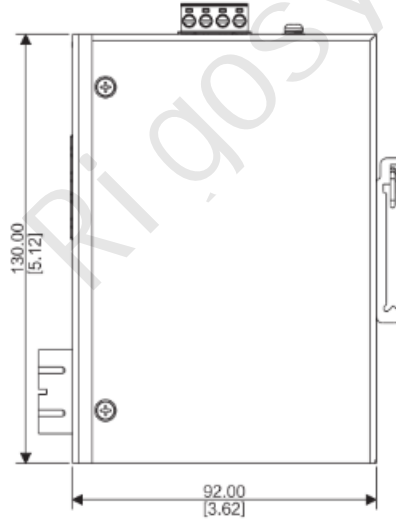
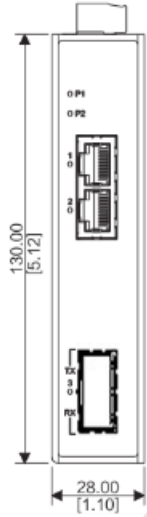
RIS1203-2GT1GP-LV:



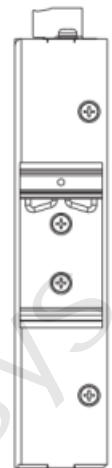
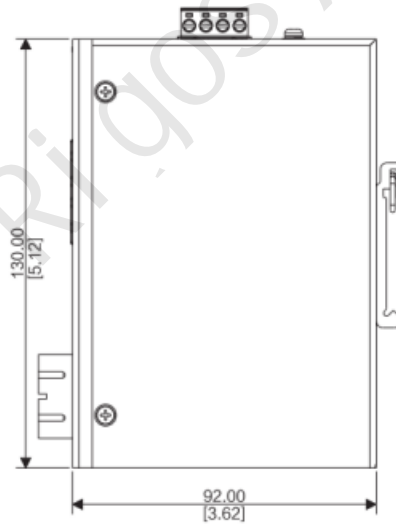
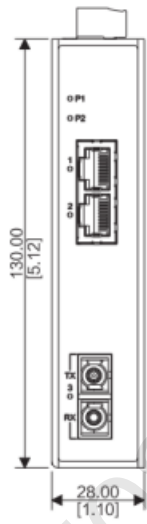
RIS1203-2GT1GF-LV:



RIS1203-2GT1GP-HV:



**RIS1203-2GT1GF-HV:**



## Product Model

Model	Description
RIS1202-1GT1GP-LV	Industrial grade Gigabit transceiver, 1 Gigabit SFP optical slot, 1 Gigabit power supply, dual DC12~DC48V power supply
RIS1202-1GT1G F -LV	Industrial grade Gigabit transceiver, 1 Gigabit optical (1x9 module SC/ST/FC optional) 1 Gigabit electrical, dual DC12~DC48V power supply
RIS1203-2GT1GP-LV	Industrial grade Gigabit transceiver, 1 Gigabit SFP optical slot, 2 Gigabit power supply, dual DC12~DC48V power supply
RIS1203-2GT1G F -LV	Industrial grade Gigabit transceiver, 1 Gigabit optical (1x9 module SC/ST/FC optional) 2 Gigabit electrical, dual DC12~DC48V power supply
RIS1203-2GT1GP-HV	Industrial grade Gigabit transceiver, 1 Gigabit SFP optical slot, 2 Gigabit power, single 85-265VAC/100-300VDC isolated power supply
RIS1203-2GT1G F -HV	Industrial-grade Gigabit transceiver, 1 Gigabit optical (1x9 module SC/ST/FC optional) 2 Gigabit electrical, single-channel 85-265VAC/100-300VDC isolated power supply