



RIS 3008 series

8-port 100M industrial-grade DIN-rail unmanaged Ethernet switch

Product Features

- Provides up to 8 100M Ethernet electrical interface configurations, which can support 1/2 100M optical interfaces (1x9 module SC/ST/FC optional);
- 100M electrical port 10/100M adaptive, full/half duplex, MDI/MDIX adaptive mode;
- The power supply supports overload protection, reverse connection protection and redundancy protection (LV);
- Plug and play, convenient and fast;
- IP40 protection level, fanless cooling ;
- Adopting industrial-grade power supply design, a variety of power input solutions are available to meet users' flexible applications;
- -40°C~75°C operating temperature, meeting industrial application scenarios .
- Default rail, optional wall mounting;

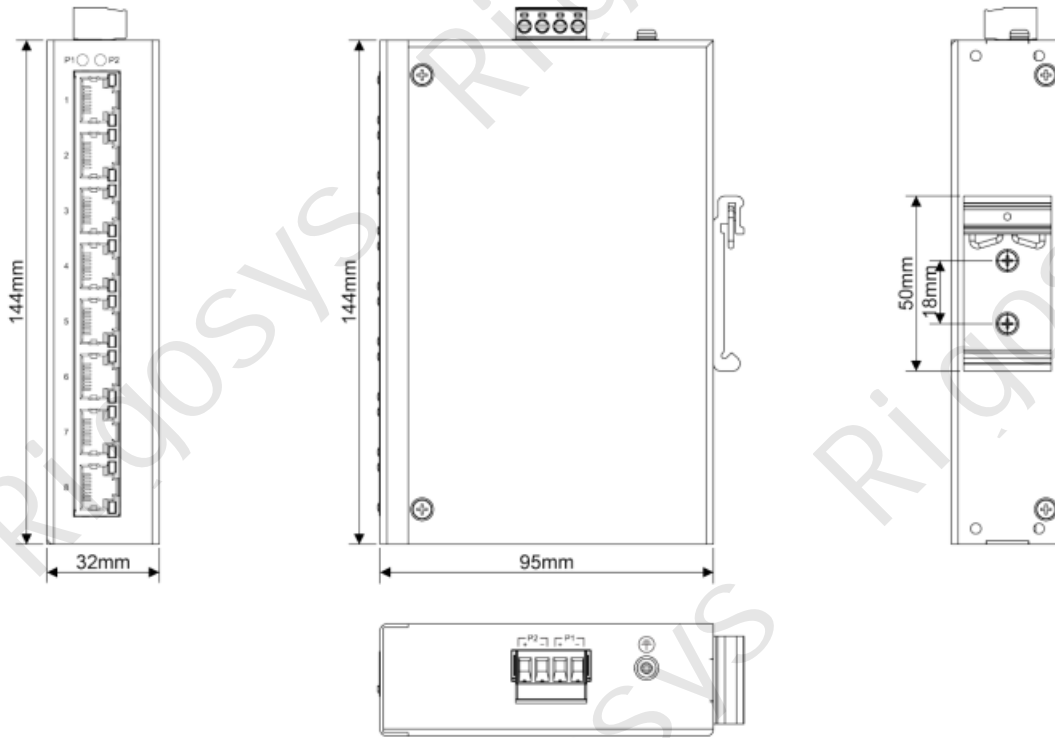
Switch Parameters

Network Interface	
Port description	3008- 8T series: supports 8 100M electrical ports 3008-7 T1F series: supports 7 100M electrical ports and 1 100M optical port (1x9 module SC/ST/FC optional) 3008-6 T2F series: supports 6 100M electrical ports and 2 100M optical ports (1x9 module SC/ST/FC optional)
power supply	
power input	Low-voltage DC power supply: dual power supply redundancy, range DC 12 ~48V High-voltage AC and DC power supply: single circuit, 85-265VAC/100-300VDC isolated power supply
Power consumption	<5W
Protect	Support overload protection, reverse connection protection and redundancy protection (LV)
technology	
Ethernet specifications	IEEE 802.3: 10Base-T IEEE 802.3u: 100Base-TX and 100Base-FX
MAC address table	2K
priority queue	4
jumbo frame	2048 bytes
Processing method	store and forward
Switch Features	Exchange delay time : <10 μ s Switch backplane bandwidth : 2Gbps
Mechanical properties	
Dimensions (W x H x D) mm	RIS 3008 S - 8T - LV: 32 x 144 x 95mm RIS 3008B - 8T-LV: 43 x 110 x 84mm RIS 3008-7 T1F-LV: 42 x 130 x 92mm RIS 3008-6 T2F-LV: 42 x 130 x 92mm RIS 3008 S -8 T-HV: 32 x 144 x 95mm RIS 3008-7 T1F-HV: 42 x 130 x 92mm RIS 3008-6 T2F-HV: 42 x 130 x 92mm
shell	Metal
Heat dissipation method	Fanless design, natural heat dissipation
Protection level	IP40
Installation method	Default rail, optional wall mounting
Weight (g)	\leq 1kg
environment	
storage temperature	-40~85 °C
Operating temperature	-40~75 °C
Working humidity	5%~95% no condensation
Certification	
EMI	FCC Part 15, CISPR (EN55022) class A
EMS	EN61000-4-2 (ESD) Contact discharge 6 kV, air discharge 8 Kv EN61000-4-3 (RS) 10V/m, 80MHz~1GHz

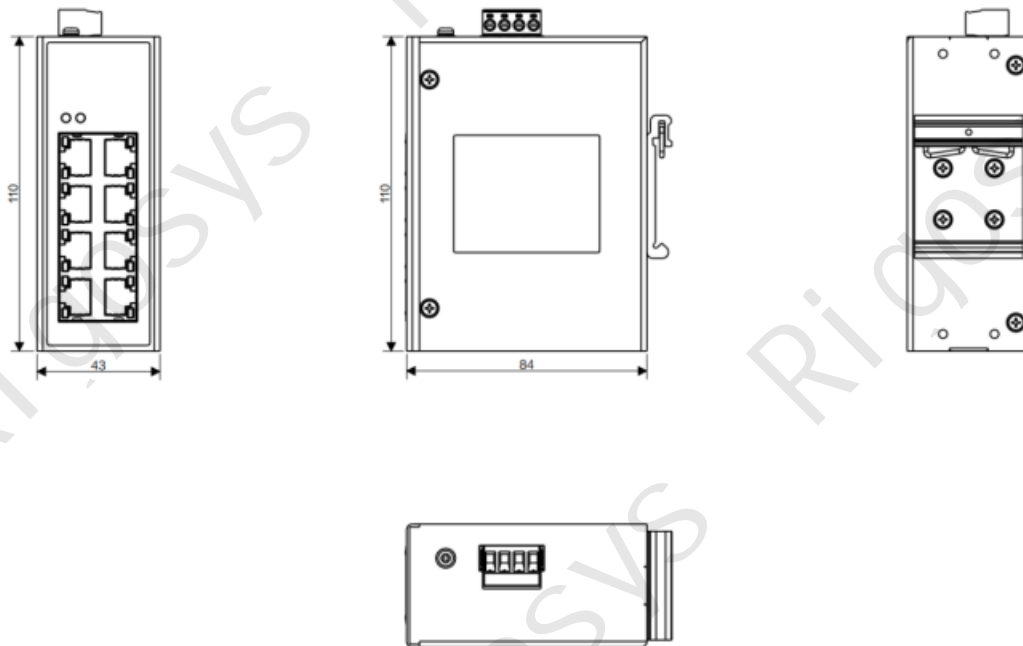
	EN61000-4-4 (EFT)	Signal terminal 1 kV, power input terminal 2 kV
	EN61000-4-5 (Surge)	Power input: 2kV (line/ground), 1kV (line/line)
	EN61000-4-6 (CS)	10V, 150kHz~80MHz
impact	IEC60068-2-27	
fall	IEC60068-2-32	
shock	IEC60068-2-6	
Security Level	EN 62368-1 (LVD)	
Warranty	5 years	

Switch Size

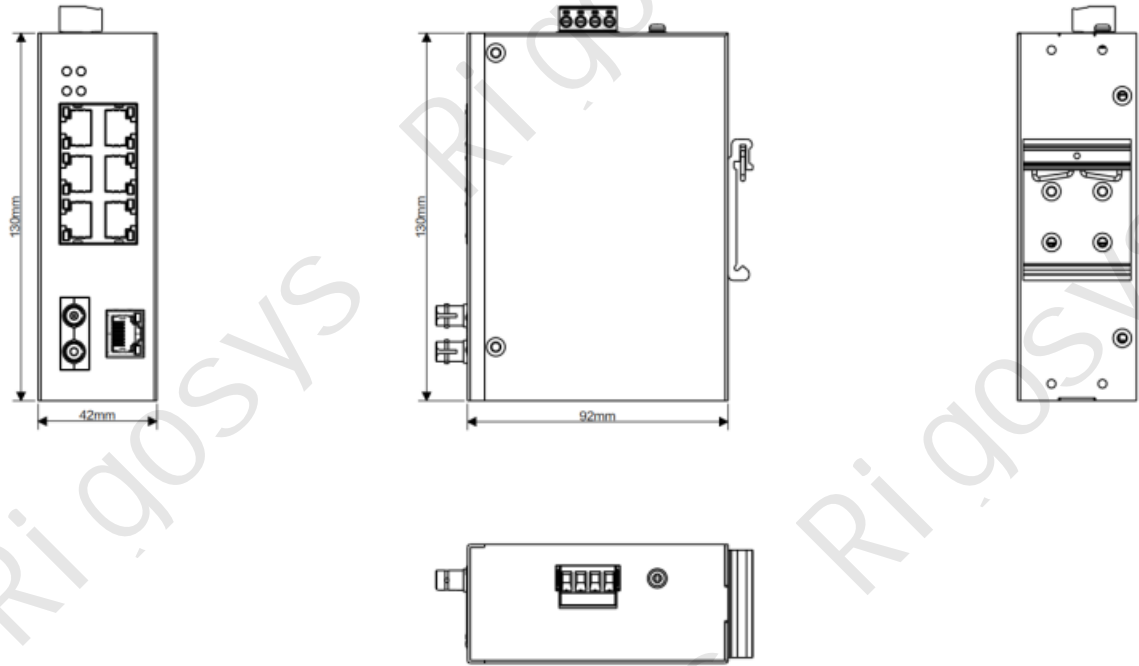
RIS3008 S- 8T - LV



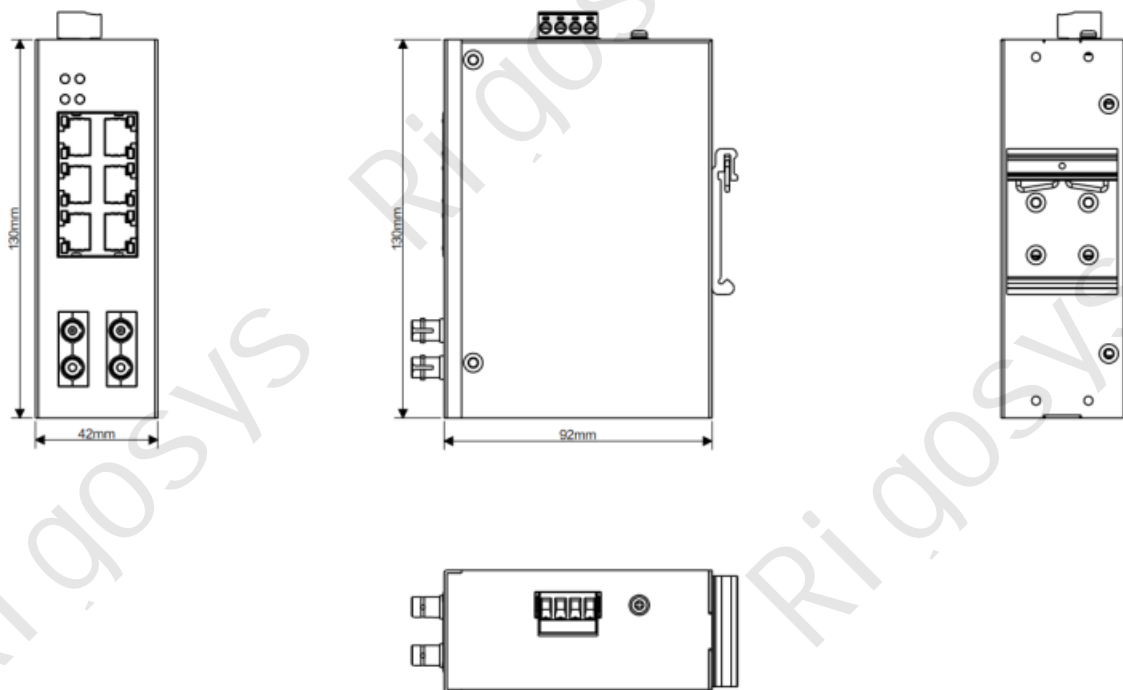
RIS3 008B - 8T-LV



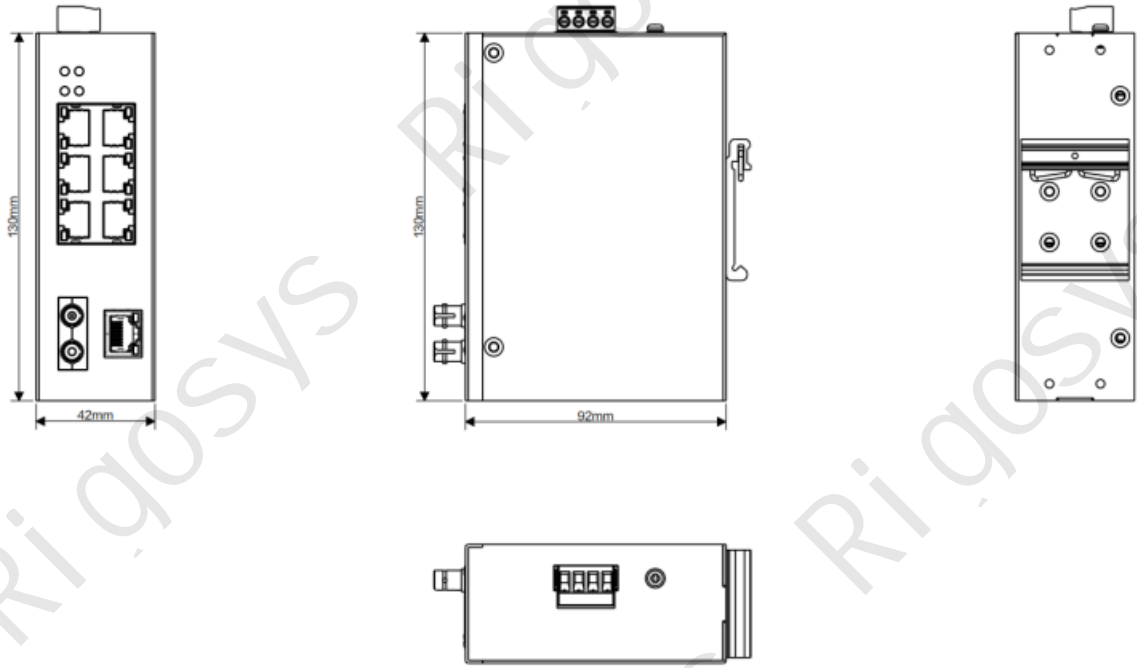
RIS 3008-7 T1F-LV



RIS 3008-6 T2F-LV



RIS 3008-7 T1F-HV



RIS 3008-6 T2F-HV

