



RIS3208 series

8-port full Gigabit industrial-grade DIN-rail unmanaged Ethernet switch

Product Features

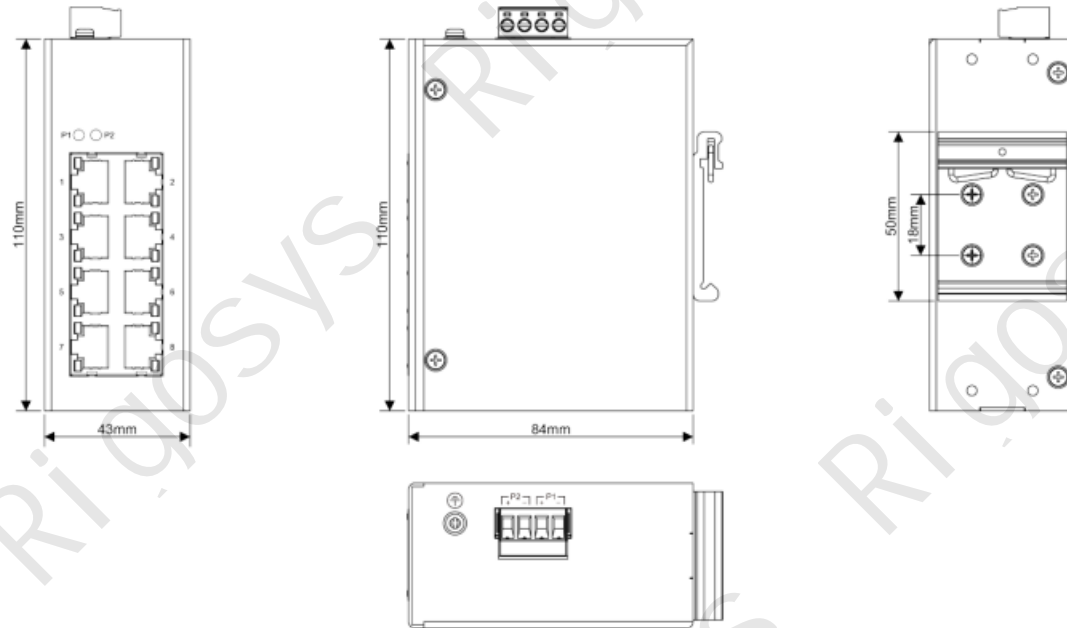
- Supports 8 Gigabit electrical interface configuration;
- Gigabit electrical port 10/100/1000M adaptive, full/half duplex, MDI/MDIX adaptive mode;
- The power supply supports overload protection, reverse connection protection and redundancy protection (LV);
- Plug and play, convenient and fast;
- IP40 protection level, fanless cooling ;
- Adopting industrial-grade power supply design, a variety of power input solutions are available to meet users' flexible applications;
- -40°C~75°C operating temperature, meeting industrial application scenarios .
- Default rail, optional wall mounting;

Switch Parameters

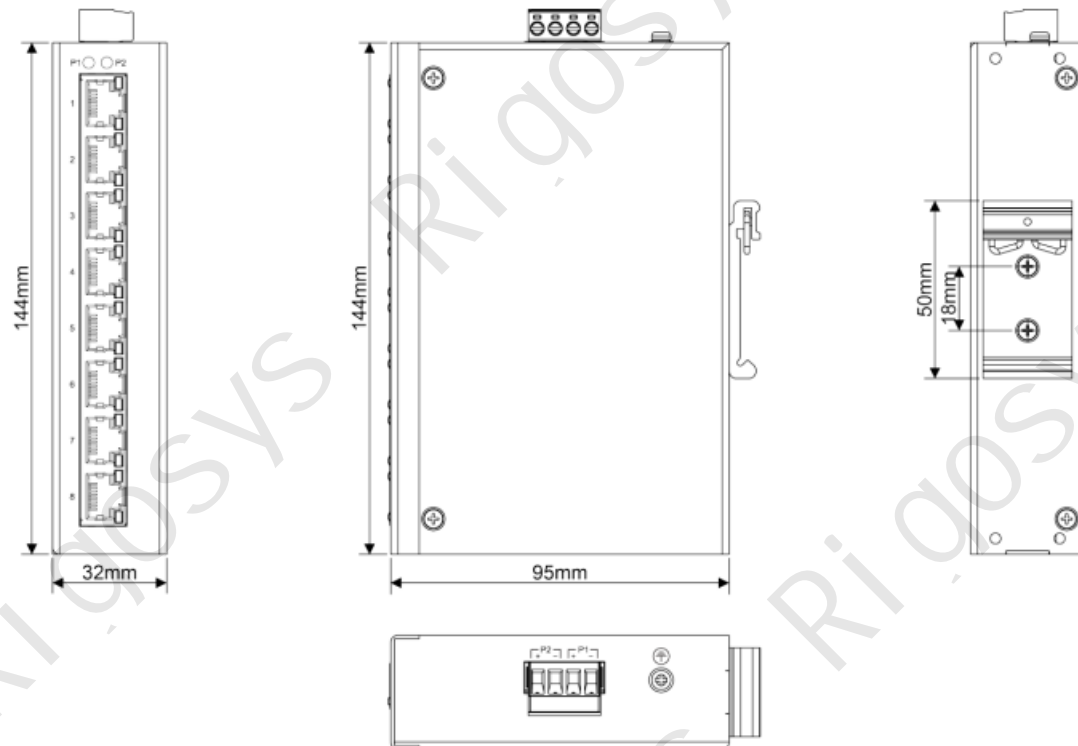
Network Interface	
Port description	Support 8 Gigabit electrical ports
power supply	
power input	Low-voltage DC power supply: dual power supply redundancy, range DC 12 ~48V High-voltage AC and DC power supply: single circuit, 85-265VAC/100-300VDC isolated power supply
Power consumption	<6W
Protect	Support overload protection, reverse connection protection and redundancy protection (LV)
technology	
Ethernet specifications	IEEE 802.3: 10Base-T IEEE 802.3u: 100Base-TX IEEE 802.3ab: 1000Base-T
MAC address table	4K
priority queue	8
jumbo frame	9216 bytes
Processing method	store and forward
Switch Features	Exchange delay time : <10 μ s Switch backplane bandwidth : 3208B-8GT series: 56Gbps; 3208S-8GT series: 20Gbps
Mechanical properties	
Dimensions (W x H x D) mm	RIS 3208B-8GT-LV: 43 x 110 x 84 RIS 3208S-8GT- LV: 32 x 144 x 95 RIS 3208S-8GT- HV: 32 x 144 x 95
shell	Metal
Heat dissipation method	Fanless design, natural heat dissipation
Protection level	IP40
Installation method	Default rail, optional wall mounting
Weight (g)	\leq 1KG
environment	
storage temperature	-40~85 °C
Operating temperature	-40~75 °C
Working humidity	5%~95% no condensation
Certification	
EMI	FCC Part 15, CISPR (EN55022) class A
EMS	EN61000-4-2 (ESD) Contact discharge 6 kV, air discharge 8 Kv
	EN61000-4-3 (RS) 10V/m, 80MHz~1GHz
	EN61000-4-4 (EFT) Signal terminal 1 kV, power input terminal 2 kV
	EN61000-4-5 (Surge) Power input: 2kV (line/ground), 1kV (line/line)
	EN61000-4-6 (CS) 10V, 150kHz~80MHz
impact	IEC60068-2-27
fall	IEC60068-2-32
shock	IEC60068-2-6
Security Level	EN 62368-1 (LVD)

Switch Size

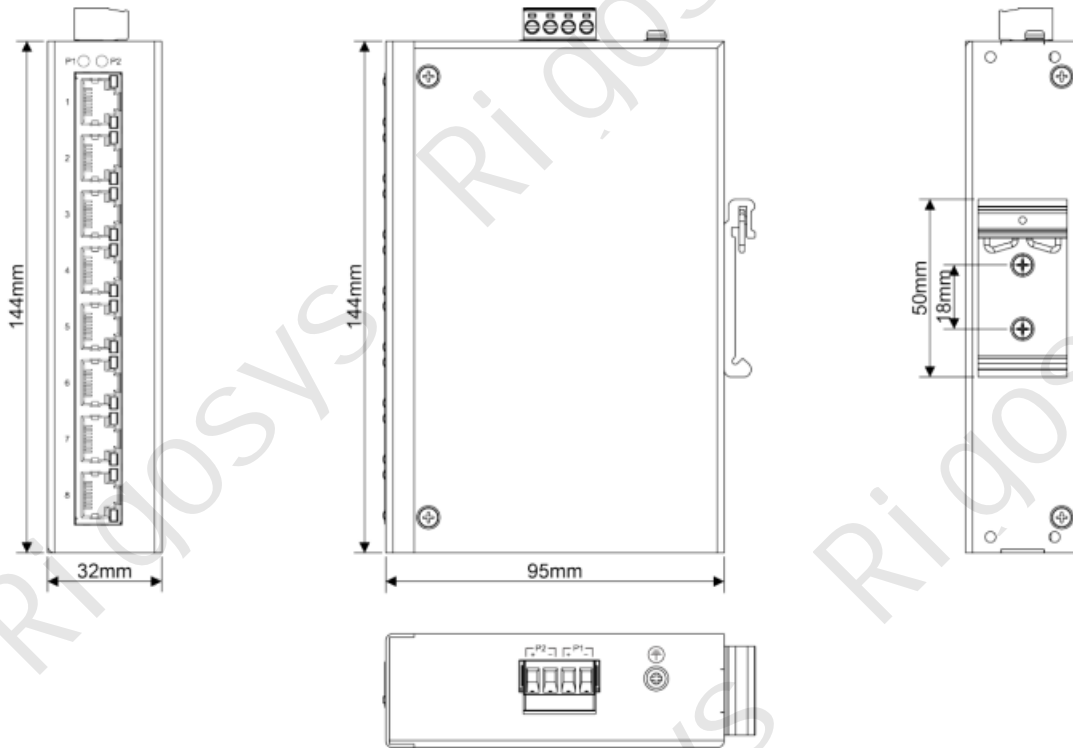
RIS 3208B-8GT-LV



RIS 3208S-8GT-LV



RIS 3208S-8GT- HV



Product Model

Model	Description
RIS 3208B-8GT-LV	Industrial grade unmanaged full Gigabit switch, 8 Gigabit electrical ports, wide temperature range -40~+75°C, dual DC12~DC48V power supply, electrical ports arranged in double rows
RIS 3208S-8GT- LV	Industrial-grade unmanaged full-Gigabit switch, 8 Gigabit electrical ports, wide temperature range -40~+75°C, dual DC12~DC48V power supply, electrical ports arranged in a single row
RIS 3208S-8GT- HV	Industrial-grade unmanaged full-Gigabit switch, 8 Gigabit electrical ports, wide temperature range -40~+75°C, single-channel 85-265VAC/100-300VDC isolated power supply, electrical ports arranged in double rows